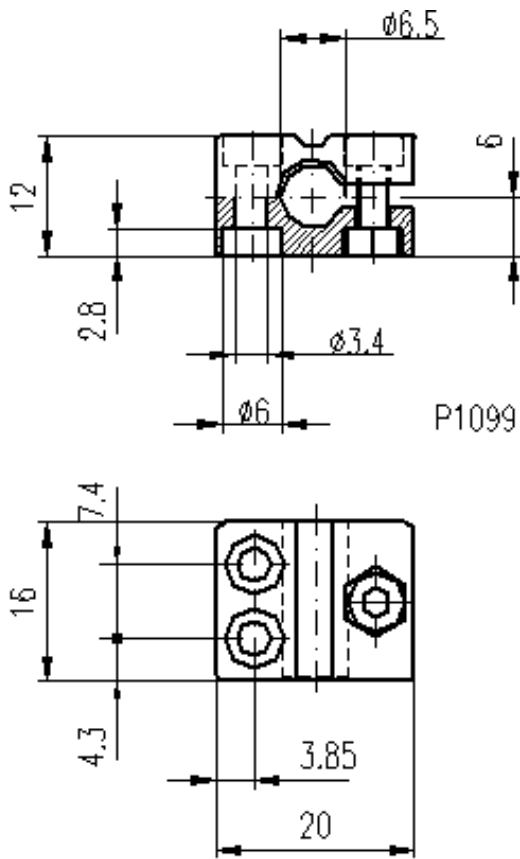


## Accessories: Mounting unit BES 08.0-KB-3-F



### Common Data

Version  
Usable with

Clamp  
clamp with positive stop for  
sensors D=8mm

### Mechanical Data

Measurements WxHxD or Dia x D  
Material  
Mounting

20x16x12  
PA6  
with 2 screws M3

Datasheet number::

Definitions see general catalog.  
If not otherwise noted, ratings according to  
IEC 60947-5-2 (DIN EN60947-5-2)

Balluff GmbH  
Schurwaldstrasse 9  
73765 Neuhausen a.d.F.  
Phone (07158) 173-0 Fax (07158) 5010

Datenblatt by CD-ROM - 04/2007

**BALLUFF**  
sensors worldwide